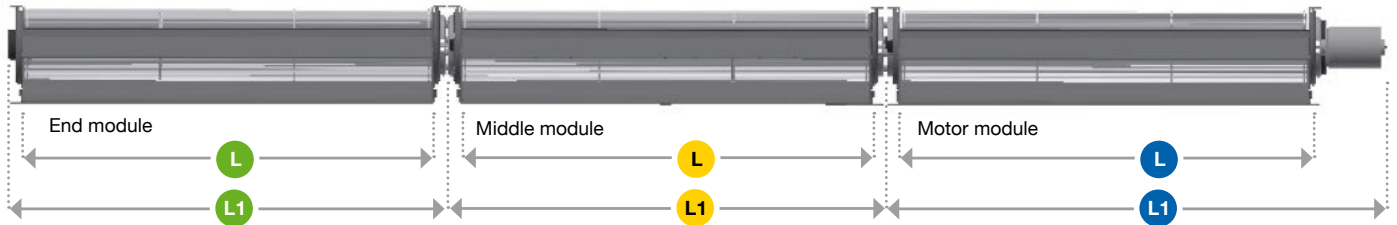


FERGAS MODULAR FAN SYSTEM

Crossflow blower serial connected

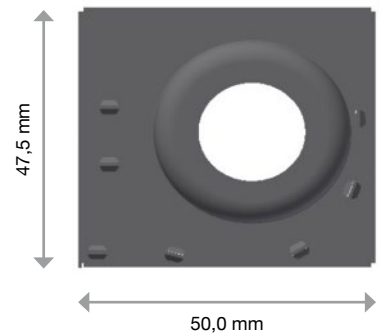
NCB 30



| L (mm) | L1 (mm) | L (mm) | L1 (mm) | L (mm) | L1 (mm) |
|--------|---------|--------|---------|--------|---------|
| 150 | 168 | 150 | 168 | 150 | 202 |
| 200 | 218 | 200 | 218 | 200 | 252 |
| 250 | 268 | 250 | 268 | 250 | 302 |
| 300 | 323 | 300 | 323 | 300 | 357 |
| 350 | 373 | 350 | 373 | 350 | 407 |

FEATURES

- Modular system, easy to connect and to combine to required length.
- Even distribution of air over the whole length of the blower.
- Easy to protect with motor on one side.
- A variation of motortypes can be supplied, like AC high voltage motors.



TECHNICAL DATA

Example

| Length (mm) | Max airflow (m ³ /h) | Speed (rpm) | Sound (dBA) | Voltage (V) | Power (W) |
|-------------|---------------------------------|-------------|-------------|-------------|-----------|
| 2 x 250 | | | | | |
| 3 x 250 | | | | | |
| 2 x 300 | | | | | |
| 3 x 300 | | | | | |
| 2 x 350 | | | | | |
| 3 x 350 | | | | | |

TESTS ARE ONGOING