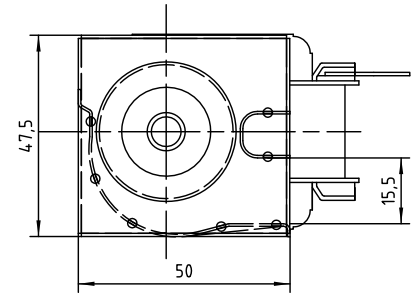
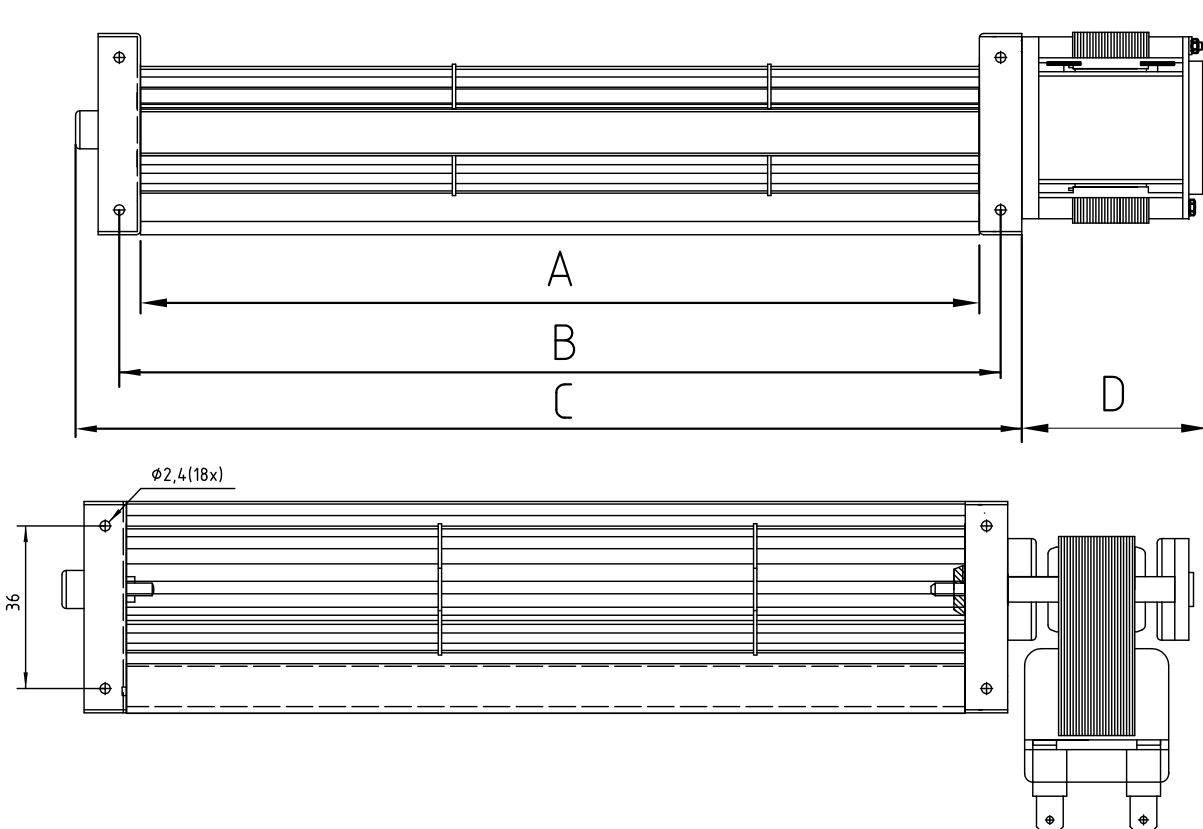
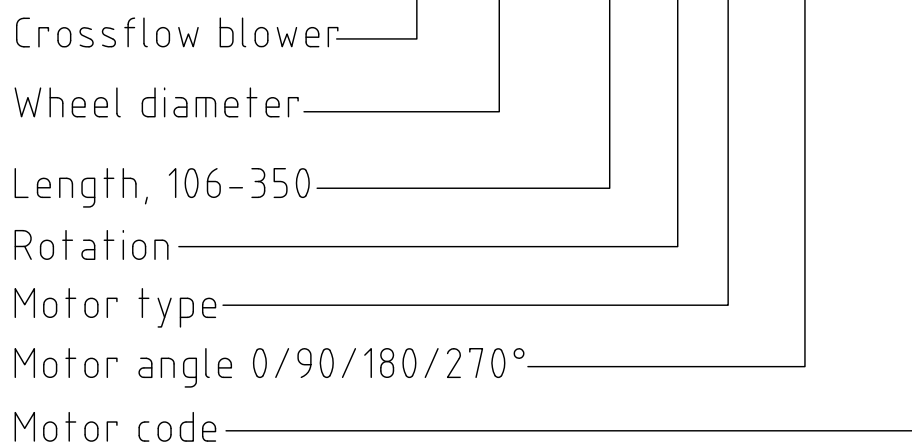


FERGAS Blower Wheels

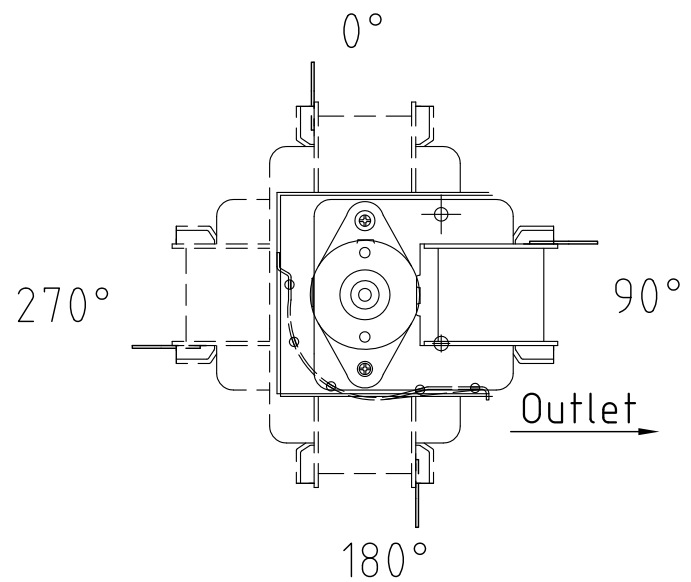


Crossflow blower description example:

NCB 30x200 L 2-90 K1366



Alternative motor angles:



Blower	A	B	C	D
NCB 30x150	148	158	168	40-60
NCB 30x200	198	208	218	40-60
NCB 30x250	248	258	268	40-60
NCB 30x300	302.6	312.6	322.6	40-60
NCB 30x350	352.6	362.6	372.6	40-60

Standard for all motor types:

Insulation Class: B or H; Volt / HZ: 230V/50HZ or 120V/60HZ

The blower can also be supplied with a heating element.