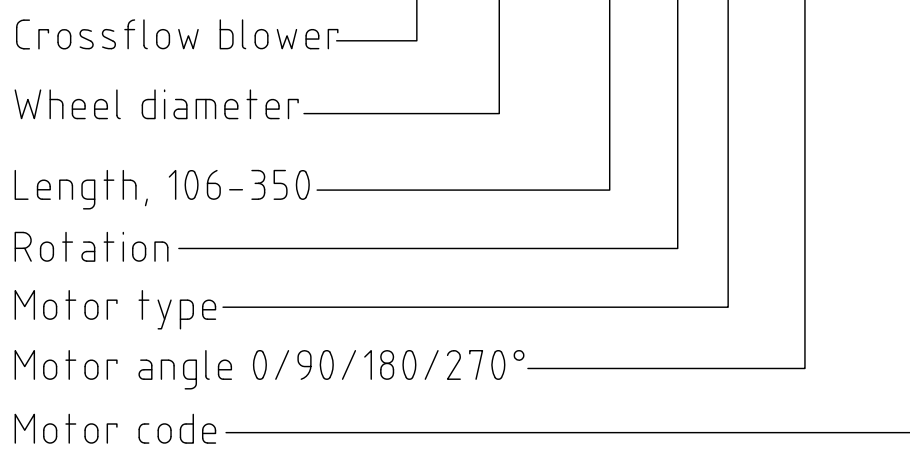
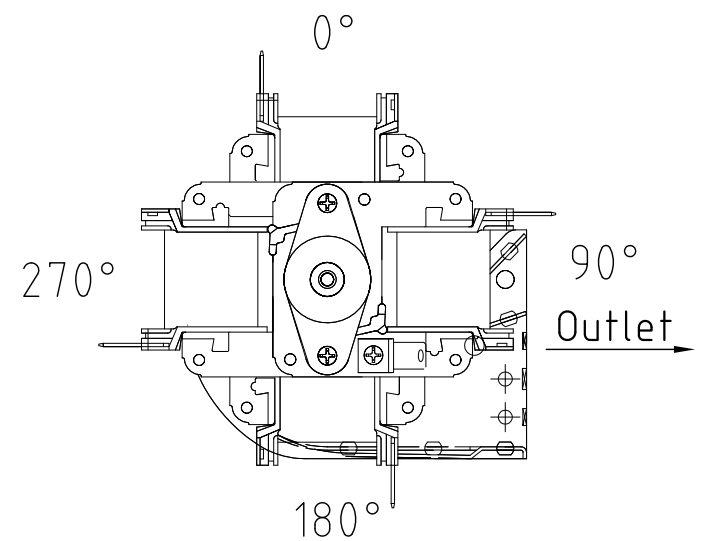


Crossflow blower description example:

NCB 45x180 R 3-90 K1329



Alternative motor angles:



Blower	A	B	C	D	E
NCB 45x120	120	144	42-60	39	47
NCB 45x180	180	204	42-60	69	77
NCB 45x240	240	264	42-60	89	106
NCB 45x300	300	324	42-60	128	136
NCB 45x360	360	384	42-60	158	166

Standard for all motor types:

Insulation Class: B or H; Volt / HZ: 230V/50HZ or 120V/60HZ

The blower can also be supplied with a heating element.