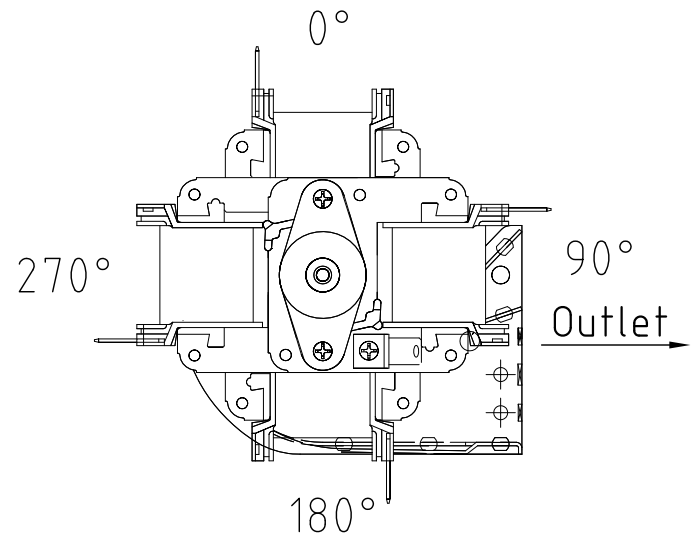


Crossflow blower description example:

Alternative motor angles:

NCB L 60x180 L 12-90 K1303

- Crossflow blower
- Housing, HL, L, LL
- Wheel diameter
- Length, 120-480
- Rotation
- Motor type
- Motor angle 0/90/180/270°
- Motor code



Blower	A	B	C	D	E
NCB 60x120	120	132.2	45-75	-	-
NCB 60x180	181	192.2	45-75	70	77
NCB 60x202.5	204.5	215.5	45-75	70	77
NCB 60x240	242	253.2	45-75	70	106
NCB 60x300	303	314.2	45-75	95.7	136
NCB 60x360	366	377.2	45-75	170	156
NCB 60x420	424	435.2	45-75	170	180
NCB 60x480	485	496.2	45-75	170	228.9

Standard for all motor types:

Insulation Class: B or H; Volt / HZ: 230V/50HZ or 120V/60HZ

The blower can also be supplied with a heating element.