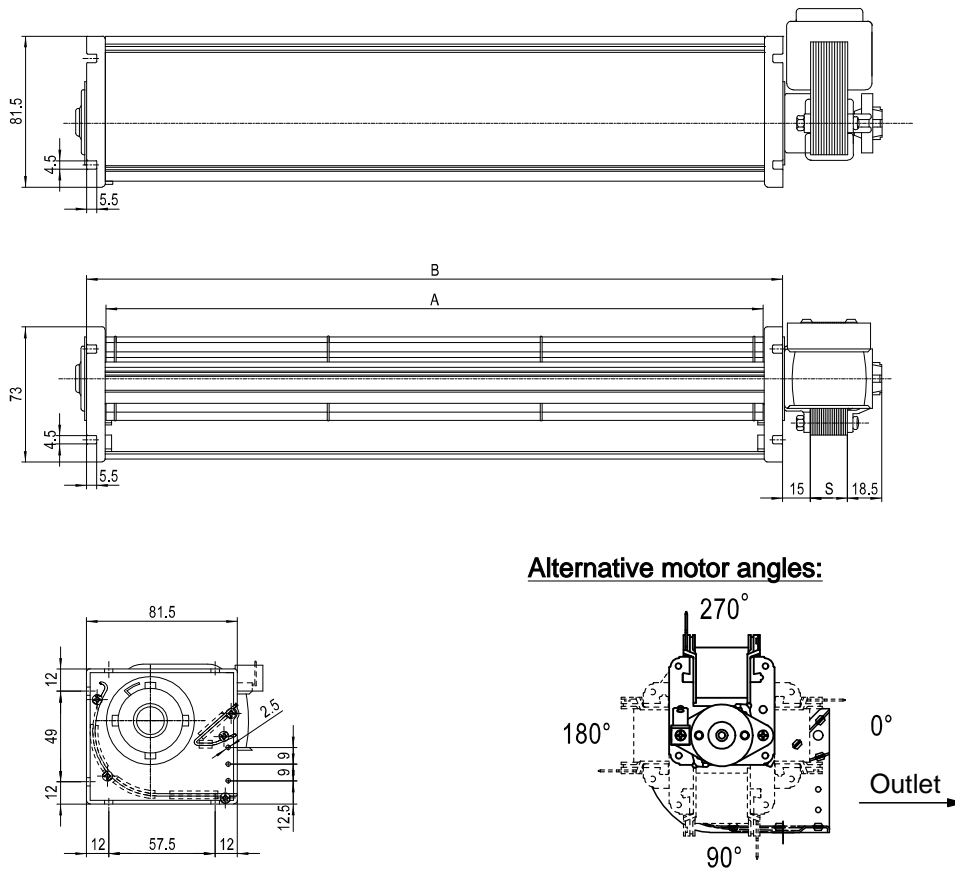


**TG 45 / 1      100 - 360**



A mid range option that is in regular use in electric fires, floor convectors and refrigerators.  
 Standard for all motor types: insulation class F or H; motor available with encapsulated bobbin.  
 230V/50Hz alt. 120V/60Hz alt. 24V AC/DC  
 Special low profile through-flow version also available (see specific datasheet for TG 45/2)

**Stack size (S) :** 10/15/20/30

Blower	A	B
TG 45/1-100	100	121
TG 45/1-120	120	141
TG 45/1-150	150	171
TG 45/1-180	180	201
TG 45/1-200	200	221
TG 45/1-240	240	261
TG 45/1-250	250	271
TG 45/1-300	300	321
TG 45/1-360	360	381

Description	
Airflow	Up to 200 m3/h
Input Power	Up to 40 W
Pressure	Up to 40 Pa
Speed	Up to 2600 RPM

**Crossflow blower description example:**

TGA 45 / 1 - 180 / 30

Crossflow blower \_\_\_\_\_  
 Motor pos. L (O) / R (A) \_\_\_\_\_  
 Wheel diameter \_\_\_\_\_  
 Housing's profile 1/2 \_\_\_\_\_  
 Length \_\_\_\_\_  
 Stack size \_\_\_\_\_