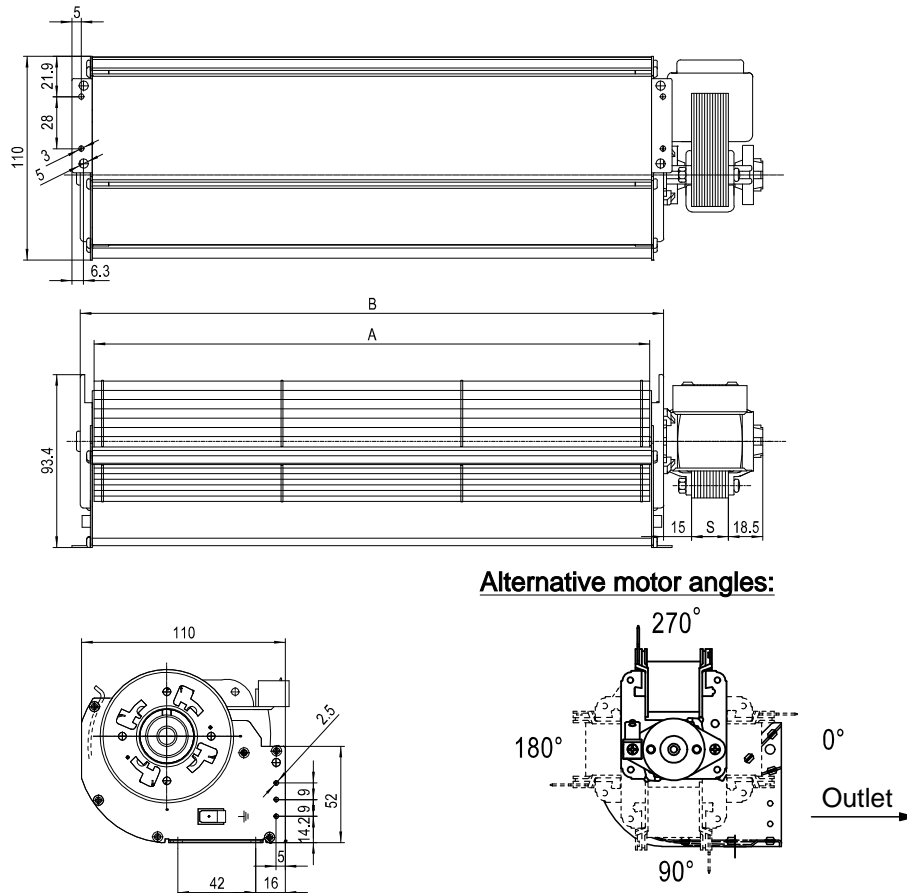


**TG 65 / 1      180 - 360**



Used in a wide range of products such as ovens, pellet stoves, vending machines and refrigerators. Standard for all motor types: insulation class F or H; motor available with encapsulated bobbin and/or hall sensor, 230V-50/60Hz alt. 120V/60Hz alt. 24V AC/DC.

**Stack size (S) :** 15/20/30/40

Blower	A	B
TG 65/1-180	180	195
TG 65/1-220	220	235
TG 65/1-240	240	255
TG 65/1-270	270	285
TG 65/1-300	300	315
TG 65/1-360	360	375

Description	
Airflow	Up to 330 m3/h
Input Power	Up to 90 W
Pressure	Up to 90 Pa
Speed	Up to 2300 RPM

**Crossflow blower description example:**

Crossflow blower \_\_\_\_\_ TGA 65 / 1 - 180 / 30  
 Motor pos. L (O) / R (A) \_\_\_\_\_  
 Wheel diameter \_\_\_\_\_  
 Housing's profile 1 \_\_\_\_\_  
 Length \_\_\_\_\_  
 Stack size \_\_\_\_\_