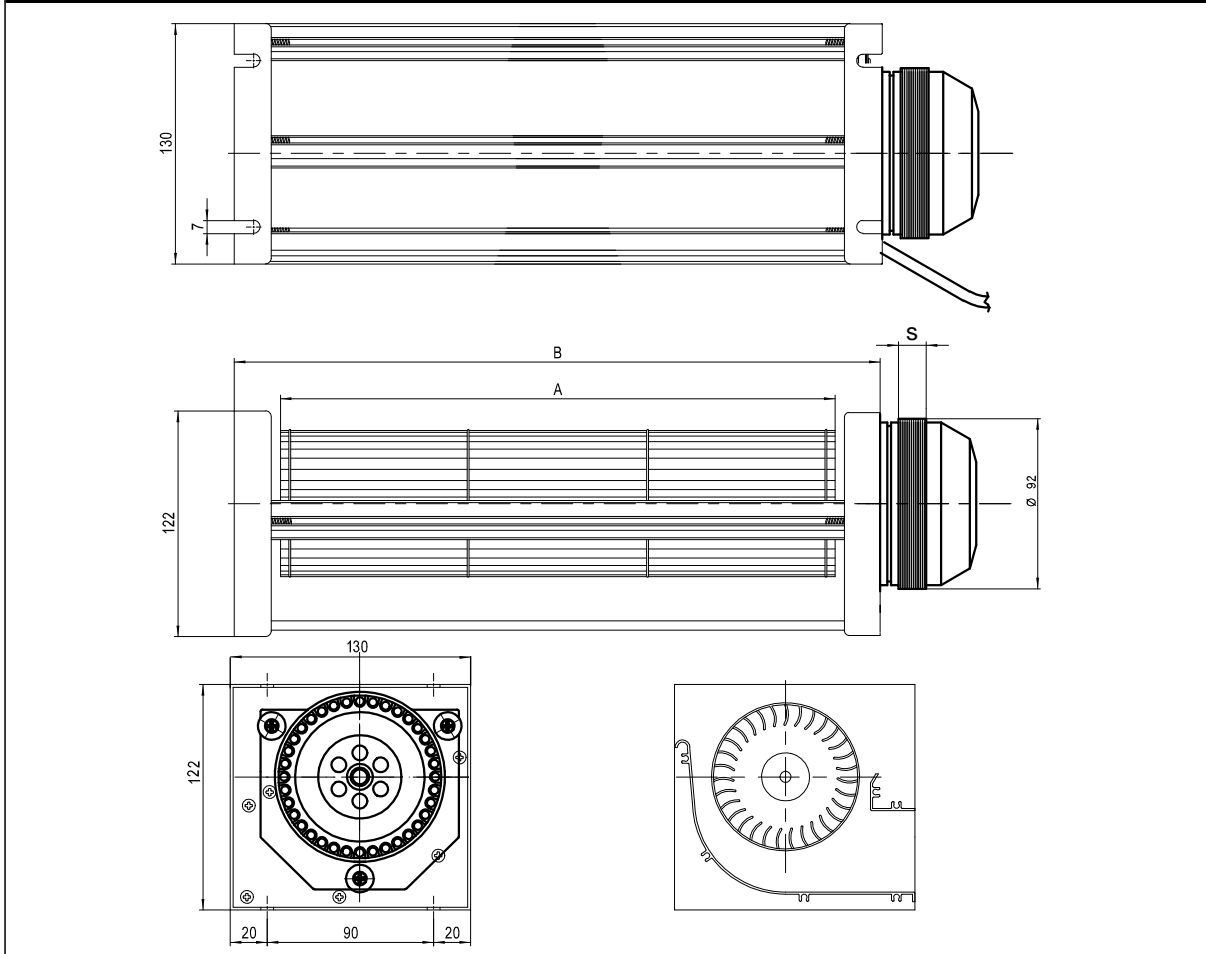


TG 80/1 R.E. 180 - 605



Used in a wide range of products such as pellet stoves, air curtains and refrigerators.
 Working temperature -30 +60°C,- 230V/50Hz alt. 120V/60Hz.
 Special low profile through-flow version also available.(See specific datasheet for TG 80/3 R.E.)

Stack size (S) : 15/20/35

Blower	A	B
TG 80/1-180	180	230
TG 80/1-220	220	270
TG 80/1-240	240	290
TG 80/1-270	270	320
TG 80/1-300	300	350
TG 80/1-330	330	380
TG 80/1-360	360	410
TG 80/1-405	405	455
TG 80/1-420	420	470
TG 80/1-505	505	555
TG 80/1-550	550	600
TG 80/1-605	605	655

Description	
Airflow	Up to 800 m3/h
Input Power	Up to 180 W
Pressure	Up to 115 Pa
Speed	Up to 2230 RPM

Crossflow blower description example:

TGA 80 / 1 - 180 / 15
 Crossflow blower
 Motor pos. L (O) / R (A)
 Wheel diameter
 Housing's profile 1
 Length
 Stack size