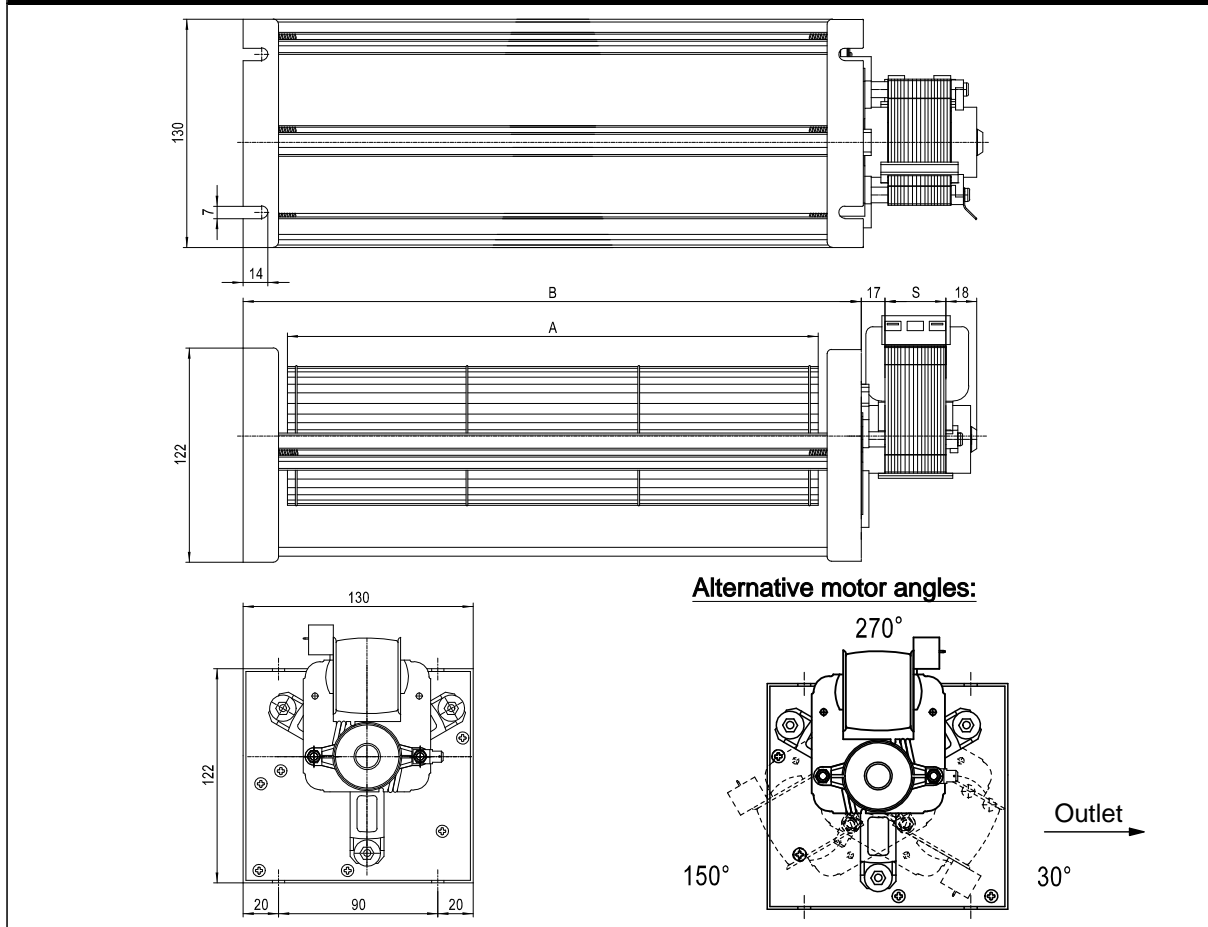


TG 80/1 180 - 360



Used in a wide range of products such as ovens, pellet stoves and refrigerators.
Standard for all motor types: insulation class F or H; 230V/50Hz alt. 120V/60Hz .

Stack size (S) : 35

Blower	A	B
TG 80/1-180	180	230
TG 80/1-220	220	270
TG 80/1-240	240	290
TG 80/1-270	270	320
TG 80/1-300	300	350
TG 80/1-330	330	380
TG 80/1-360	360	410

Description	
Airflow	Up to 290 m ³ /h
Input Power	Up to 75 W
Pressure	Up to 48 Pa
Speed	Up to 1120 RPM

Crossflow blower description example:

TGA 80 / 1 - 180 / 35

Crossflow blower _____

Motor pos. L (O) / R (A) _____

Wheel diameter _____

Housing's profile 1 _____

Length _____

Stack size _____