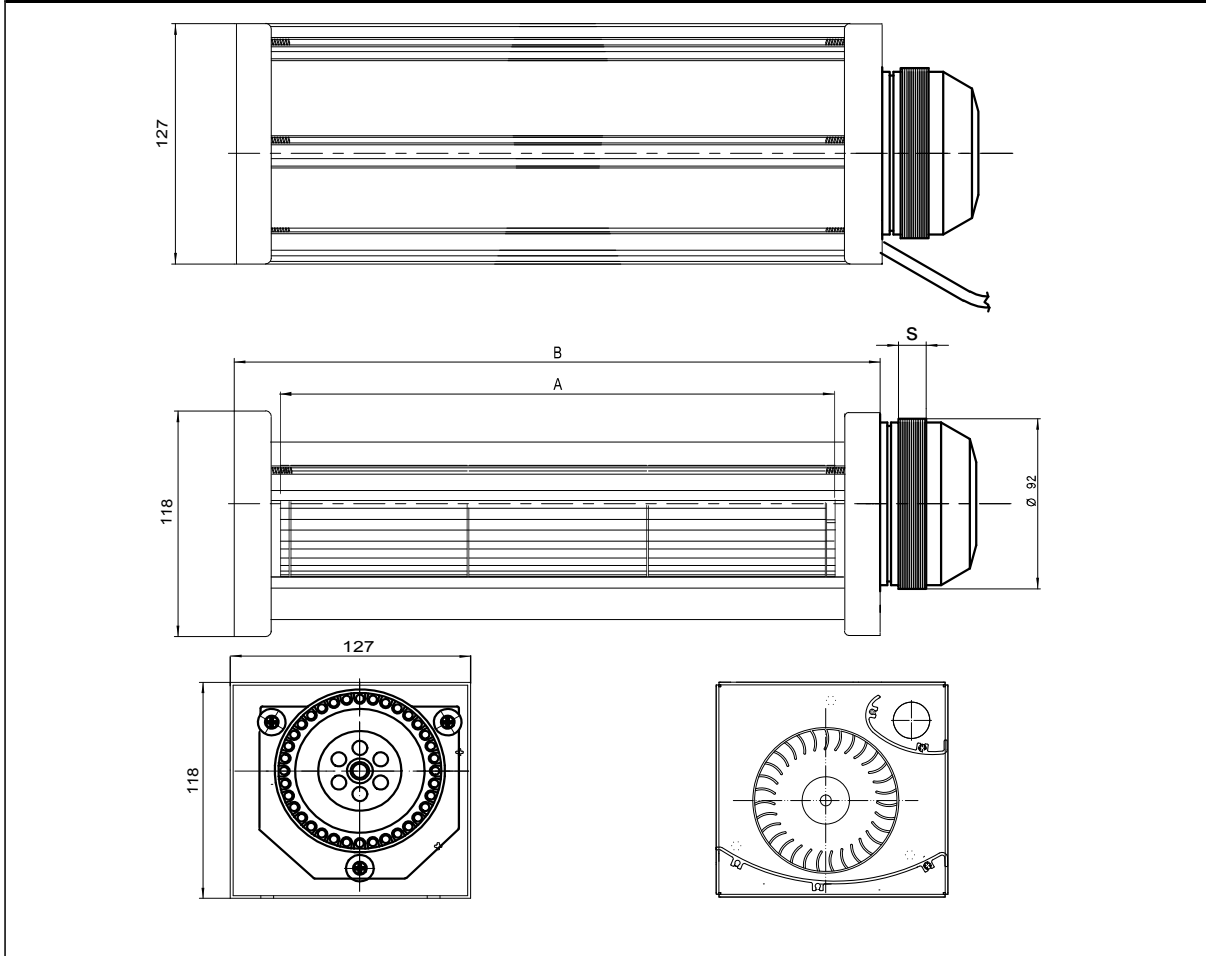


**TG 80/3 R.E. 180 - 605**



Used in a wide range of products such as pellet stoves, air curtains and refrigerators.  
 Working temperature -30 +60°C,- 230V/50Hz alt. 120V/60Hz.  
 Special low profile through-flow version also available.

**Stack size (S) : 15/20/35**

| Blower      | A   | B   |
|-------------|-----|-----|
| TG 80/1-180 | 180 | 230 |
| TG 80/1-220 | 220 | 270 |
| TG 80/1-240 | 240 | 290 |
| TG 80/1-270 | 270 | 320 |
| TG 80/1-300 | 300 | 350 |
| TG 80/1-330 | 330 | 380 |
| TG 80/1-360 | 360 | 410 |
| TG 80/1-405 | 405 | 455 |
| TG 80/1-420 | 420 | 470 |
| TG 80/1-505 | 505 | 555 |
| TG 80/1-550 | 550 | 600 |
| TG 80/1-605 | 605 | 655 |

| Description |                |
|-------------|----------------|
| Airflow     | Up to 500 m3/h |
| Input Power | Up to 120 W    |
| Pressure    | Up to 70 Pa    |
| Speed       | Up to 2400 RPM |

**Crossflow blower description example:**

TGA 80 / 3 - 180 / 15  
 Crossflow blower  
 Motor pos. L (O) / R (A)  
 Wheel diameter  
 Housing's profile 3  
 Length  
 Stack size