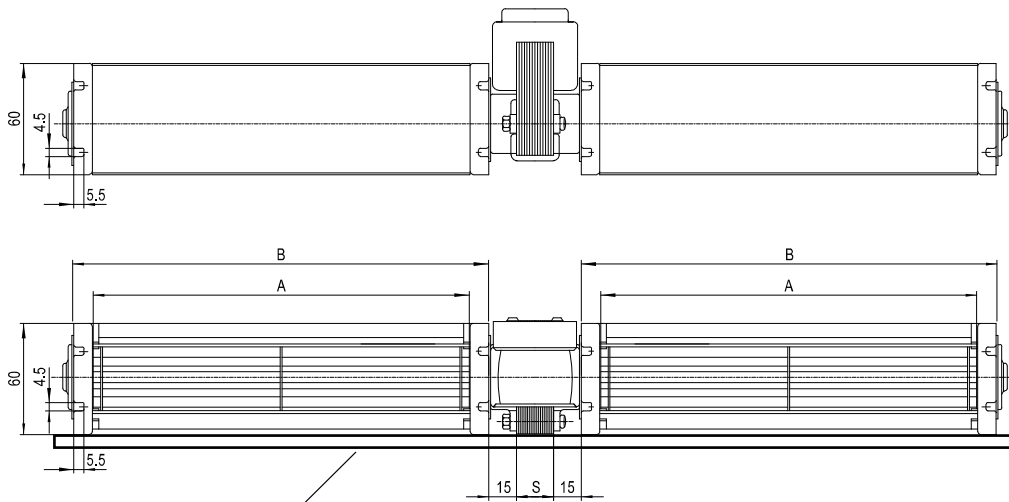
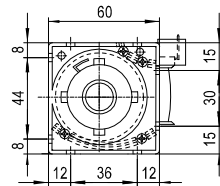


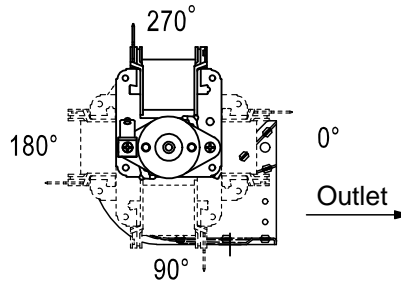
**TGD 45 / 2    100 - 360**



**Mounting bracket**



**Alternative motor angles:**



Special low profile through-flow version.

A mid range option that is in regular use in electric fires, microwave ovens and refrigerators.  
Standard for all motor types: insulation class F or H; motor available with encapsulated bobbin,  
230V/50Hz alt. 120V/60Hz alt. 24V AC.

**Stack size (S) : 15/20/30**

Blower	A	B
TGD 45/2-100	100	121
TGD 45/2-120	120	141
TGD 45/2-150	150	171
TGD 45/2-180	180	201
TGD 45/2-200	200	221
TGD 45/2-240	240	261
TGD 45/2-250	250	271
TGD 45/2-300	300	321
TGD 45/2-360	360	381

Description	
Airflow	Up to 230 m <sup>3</sup> /h
Input Power	Up to 28 W
Pressure	Up to 12 Pa
Speed	Up to 2000 RPM

**Crossflow blower description example:**

TGD 45 / 2 - 180 / 30  
 Crossflow blower \_\_\_\_\_  
 Double \_\_\_\_\_  
 Wheel diameter \_\_\_\_\_  
 Housing's profile 1/2 \_\_\_\_\_  
 Length \_\_\_\_\_  
 Stack size \_\_\_\_\_