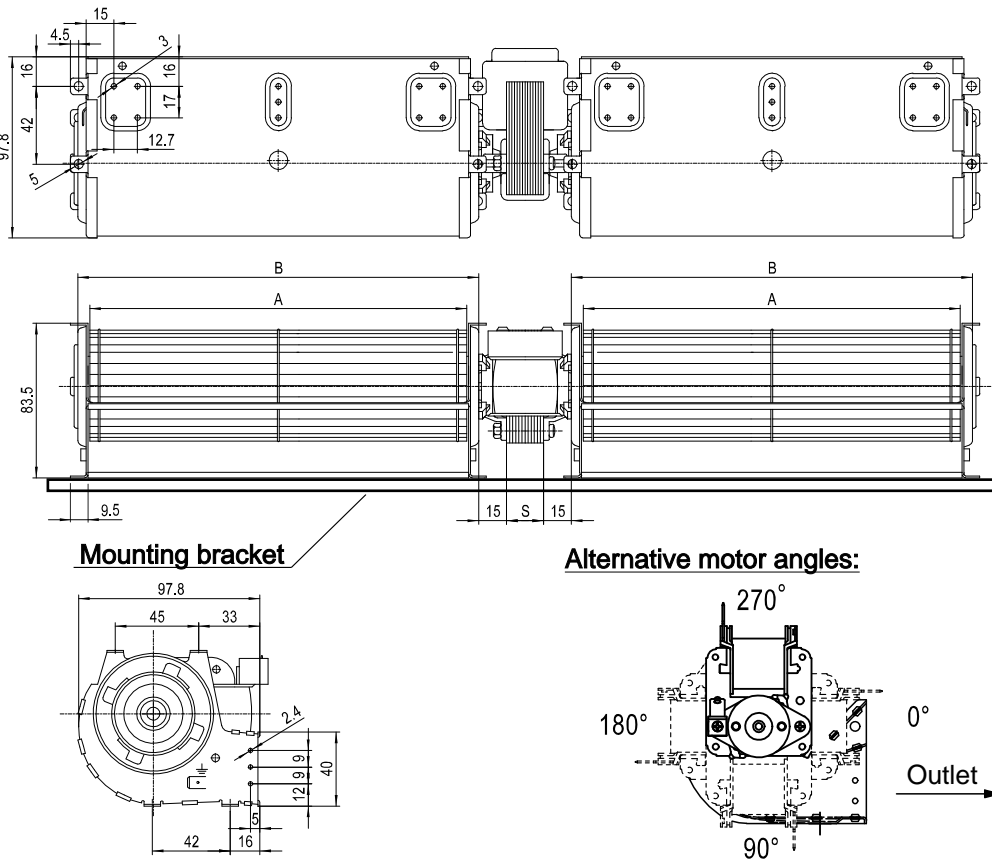


TGD 60/1 60 - 360



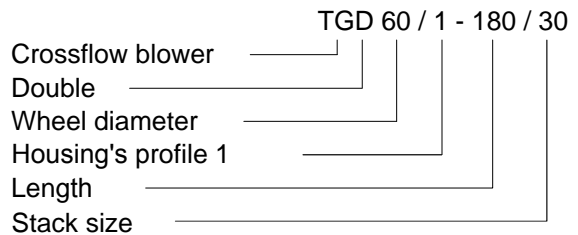
Used in a wide range of products such as, pellet stoves and refrigerators.
 Standard for all motor types: insulation class F or H; motor available with encapsulated bobbin,
 230V/50Hz alt. 120V/60Hz alt. 24V AC.

Stack size (S) : 15/20/30/40

Blower	A	B
TGD 60/1-60	60	73
TGD 60/1-90	90	103
TGD 60/1-120	120	133
TGD 60/1-180	180	193
TGD 60/1-240	240	253
TGD 60/1-270	270	283
TGD 60/1-300	300	313
TGD 60/1-330	330	343
TGD 60/1-360	360	373

Description	
Airflow	Up to 400 m3/h
Input Power	Up to 70 W
Pressure	Up to 65 Pa
Speed	Up to 2100 RPM

Crossflow blower description example:



Other lengths upon requests