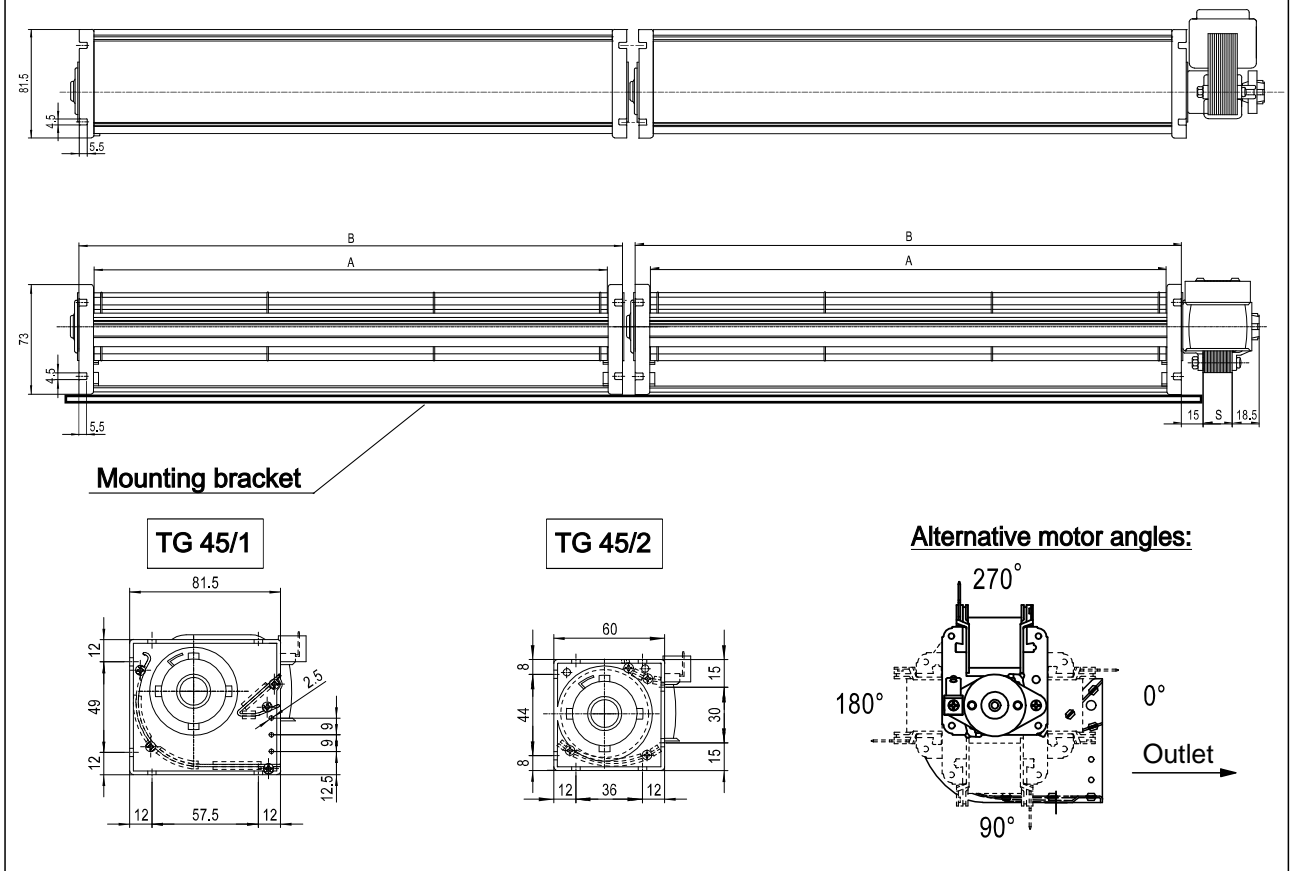


TGM 2 OR 3 MODULAR 45 / 1-2 240-360



A mid range option that is in regular use, floor convectors and refrigerators.

Standard for all motor types: insulation class F or H; motor available with encapsulated bobbin and/or hall sensor 230V/50Hz alt. 120V/60Hz alt. 24V AC/DC , MAXIMUM TOTAL LENGTH with motor, 1200mm

Special low profile through-flow version also available (see specific datasheet for TG 45/2)

Stack size (S) : 15/20/30

Blower	A	B
TGM 45/1-240	240	261
TGM 45/1-250	250	271
TGM 45/1-300	300	321
TGM 45/1-360	360	381

Description	
Airflow	Up to 330 m3/h
Input Power	Up to 40 W
Pressure	Up to 40 Pa
Speed	Up to 2000 RPM

Crossflow blower description example:

TGM 45 / 1 - 240 / 30

Crossflow blower _____

Motor pos. L (O) / R (A) _____

Wheel diameter _____

Housing's profile 1/2 _____

Length _____

Stack size _____