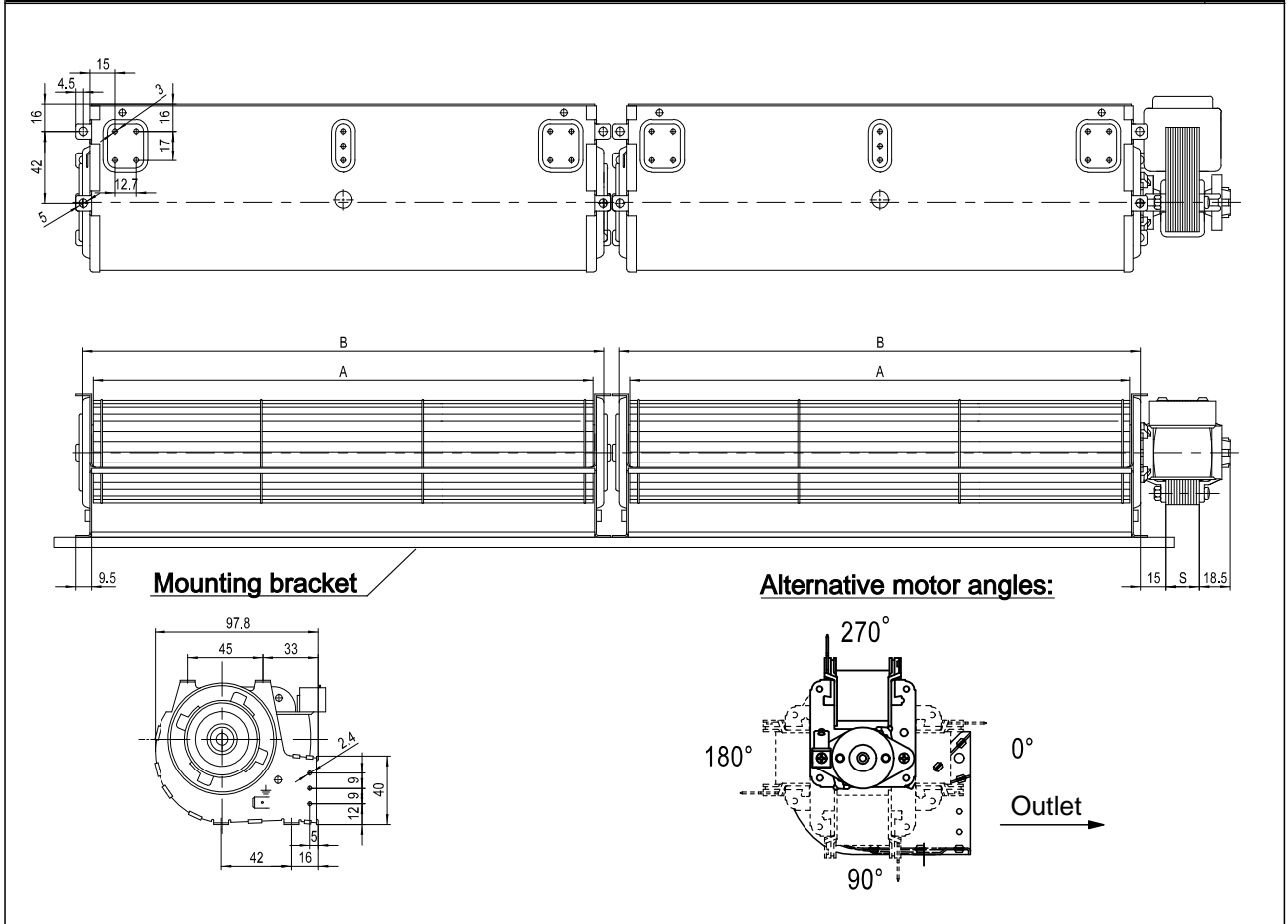


TGM 2 OR 3 MODULAR 60 / 1 300 - 480



A mid range option that is in regular use, floor convectors, air curtains and refrigerators.

Standard for all motor types: insulation class F or H; motor available with encapsulated bobbin and/or hall sensor
230V/50Hz alt. 120V/60Hz alt. 24V AC/DC , MAXIMUM TOTAL LENGTH with motor, 1200mm

Stack size (S) : 20/30/40

| Blower | A | B |
|--------------|-----|-----|
| TGM 60/1-300 | 300 | 313 |
| TGM 60/1-360 | 360 | 373 |
| TGM 60/1-420 | 420 | 433 |
| TGM 60/1-480 | 480 | 493 |

| Description | |
|-------------|----------------|
| Airflow | Up to 400 m3/h |
| Input Power | Up to 70 W |
| Pressure | Up to 65 Pa |
| Speed | Up to 1800 RPM |

Crossflow blower description example:

TGM 60 / 1 - 300 / 30

Crossflow blower _____

Motor pos. L (O) / R (A) _____

Wheel diameter _____

Housing's profile 1 _____

Length _____

Stack size _____