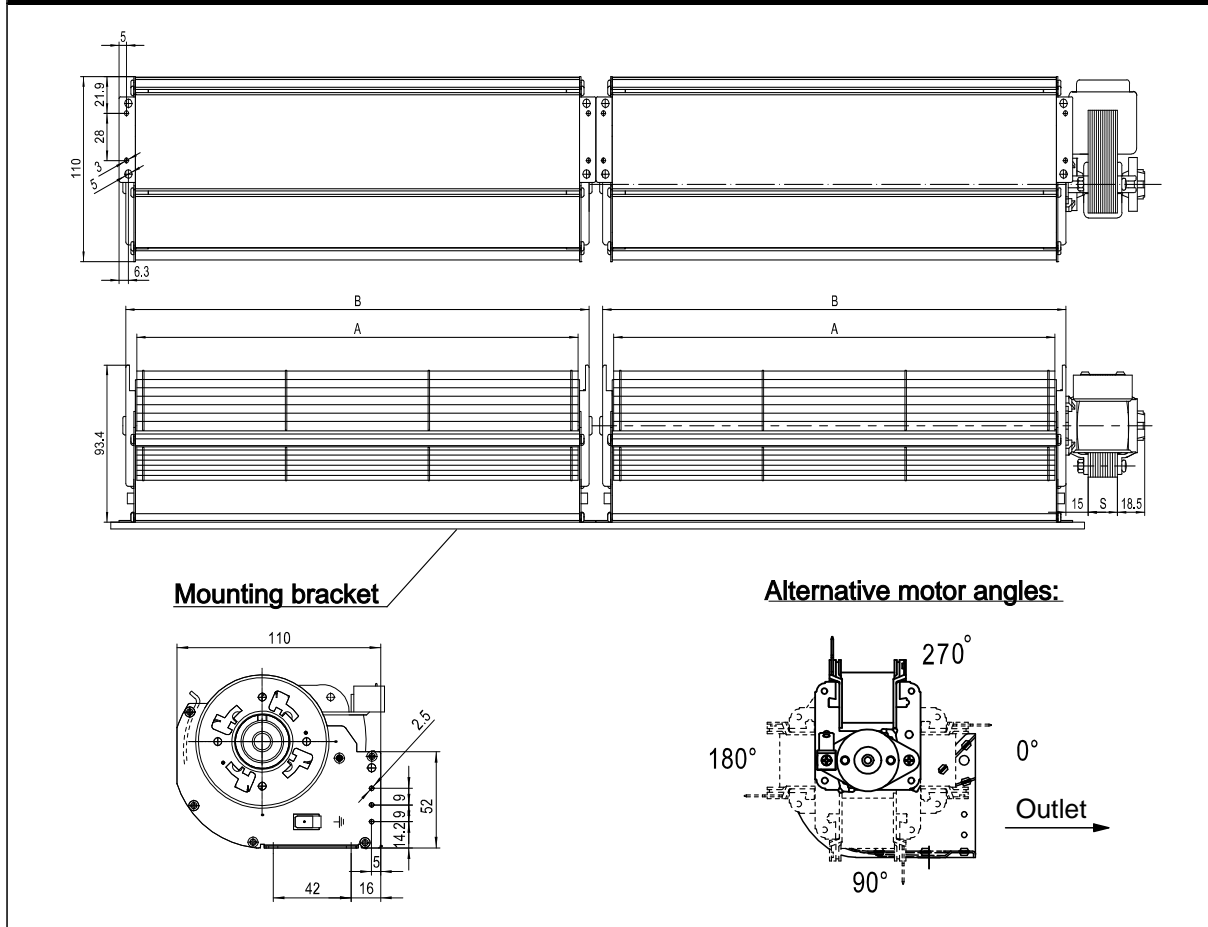


TGM 2 OR 3 MODULAR 65 / 1 180 - 360



Used in a wide range of products such as, floor convectors, air curtains and refrigerators.
 Standard for all motor types: insulation class F or H; motor available with encapsulated bobbin, and/or hall sensor,
 230V/50Hz alt. 120V/60Hz alt. 24V AC, MAXIMUM TOTAL LENGTH with motor, 1200mm

Stack size (S) : 20/30/40

Blower	A	B
TGM 65/1-180	180	195
TGM 65/1-220	220	235
TGM 65/1-240	240	255
TGM 65/1-270	270	285
TGM 65/1-300	300	315
TGM 65/1-360	360	375

Description	
Airflow	Up to 420 m ³ /h
Input Power	Up to 70 W
Pressure	Up to 60 Pa
Speed	Up to 1400 RPM

Crossflow blower description example:

TGM 65 / 1 - 180 / 30

Crossflow blower _____
 Double _____
 Wheel diameter _____
 Housing's profile 1 _____
 Length _____
 Stack size _____